



## OFFICE OF THE BARIPADA MUNICIPALITY, BARIPADA QUOTATION CALL NOTICE

No. 1522 / Date 01.03.2019 /

Sealed quotations are invited from the reputed MSME units/Manufacturer/Registered supplier for supply of following specifications of items (drawing enclosed in a separate sheet) "Tricycle garbage Carrier" which are used for door to door collection of solid waste. The rate should be quoted inclusive of all taxes and materials should be delivered at the Municipality Office, Baripada. The quotation must be accompanied with the detail specification of item along with copy of valid GST registration certificate, ITCC(last return), PAN card, & EMD of Rs.20,000.00(Rupees twenty thousand)only in shape of Bank Draft(refundable) drawn in favour of Executive Officer, Baripada Municipality. The quotations to be submitted to the undersigned by dt.08.03.2019 up to 1 P.M. and the same will be opened on the same day at 3.30 P.M. in presence of the quotationers or their authorised representatives. The Municipality will not be held responsible for any postal delay. Quotation submitted beyond the aforesaid date and time shall not be entertained. The Authority reserves the right to accept or reject any or all the quotations without assigning any reason thereof.

### SPECIFICATIONS for each Tricycle garbage carrier-

- ✓ Sheet metal body – 36"X36"X16" depth;
- ✓ Heavy duty rim for back-2 nos. & light duty rim for front – 1 no. with tubeless tyre;
- ✓ Double pipe "trolley" frame & handle front rod support(conventional model).
- ✓ Body sheet covering 1 mm G.I. Sheet & frame all welded out of G.I. sections as per shown in drawing;
- ✓ Painting of tricycle body by the branded exterior paints after due coating of zinc primer;
- ✓ Printing on the body of tricycle in odiya "Baripada Pourapalika"

**Rate for each  
Tricycle  
garbage  
carrier**

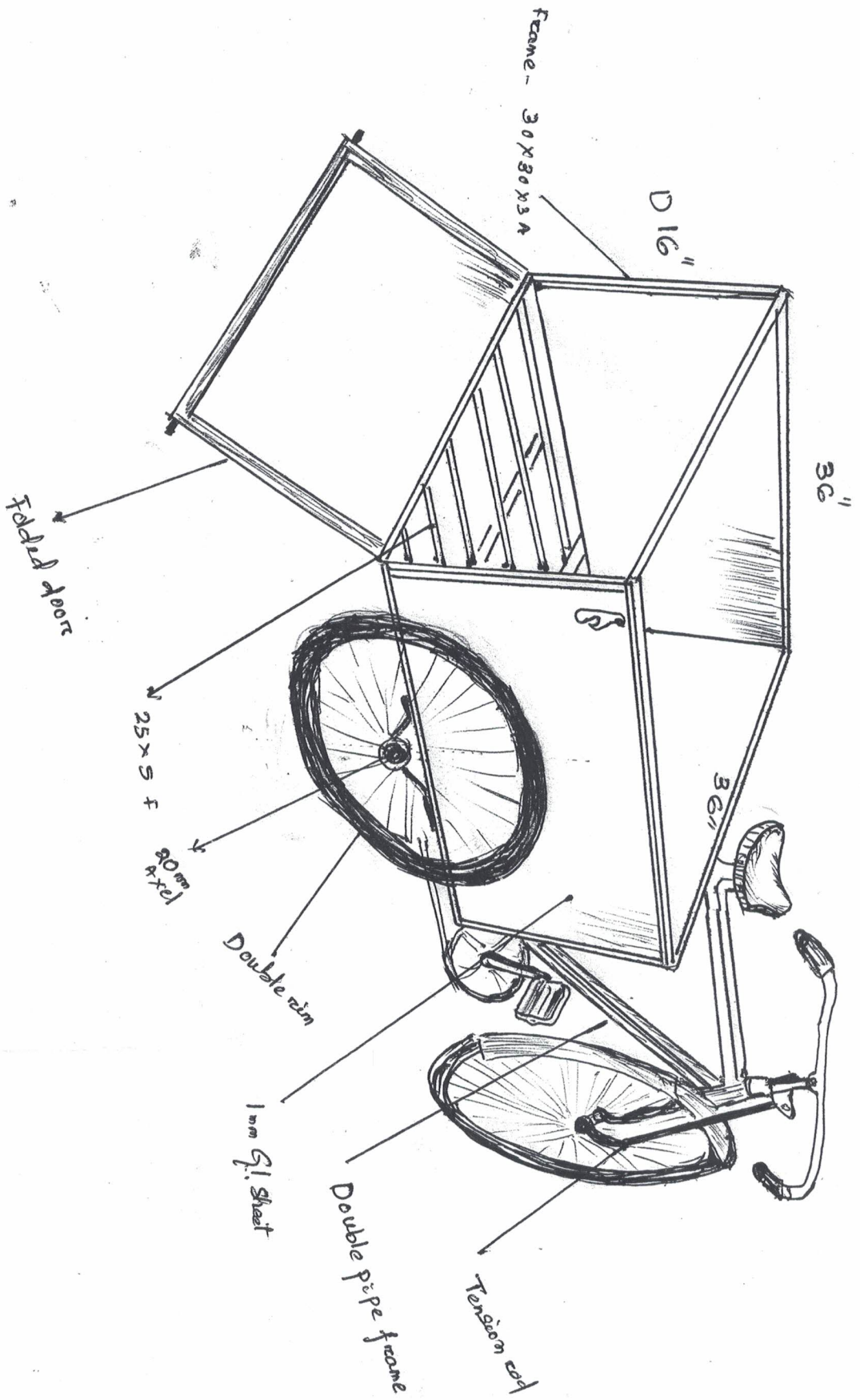
Enclosures:-*Sketch drawing*

  
Executive Officer,  
Baripada Municipality

Memo No. \_\_\_\_\_/Dtd.

Copy forwarded to the O.I.C. Gen. & Misc.,Collectorate,Baripada/Sub-Collector, Baripada/ Tahasildar, Baripada/ P.A.,I.T.D.A. Baripada/P.D. D.R.D.A.,Mayurbhanj/D.I. & P.R.O., Baripada for information with a request to display the quotation Call Notice in their respective Notice Board for wide publication. And copy submitted to I & P.R. Deptt. Govt. of Odisha,Bhubaneswar is requested to kindly publish the same for one day on or before dt.03.03.19.

  
Executive Officer,  
Baripada Municipality.



**FREE SKETCH OF TRICYCLE TROLLEY**

Size :- (TROLLEY) — 36" L x 36" B x 16" Depth

Executive Officer  
 Baripada Municipality

1/13